

Архангельск (8182)63-90-72 Астана (7172)727-132 Астрахань (8512)99-46-04 Барнаул (3852)73-04-60 Белгород (4722)40-23-64 Брянск (4832)59-03-52 Владивосток (423)249-28-31 Волгоград (844)278-03-48
 Вологда (8172)26-41-59 Воронеж (473)204-51-73 Екатеринбург (343)384-55-89 Иваново (4932)77-34-06 Ижевск (3412)26-03-58 Казань (843)206-01-48 Калининград (4012)72-03-81 Калуга (4842)92-23-67
 Кемерово (3842)65-04-62 Киров (8332)68-02-04 Краснодар (861)203-40-90 Красноярск (391)204-63-61 Курск (4712)77-13-04 Липецк (4742)52-20-81 Магнитогорск (3519)55-03-13 Москва (495)268-04-70
 Мурманск (8152)59-64-93 Набережные Челны (8552)20-53-41 Нижний Новгород (831)429-08-12 Новокузнецк (3843)20-46-81 Новосибирск (383)227-86-73 Омск (3812)21-46-40 Орел (4862)44-53-42
 Оренбург (3532)37-68-04 Пенза (8412)22-31-16 Пермь (342)205-81-47 Ростов-на-Дону (863)308-18-15 Рязань (4912)46-61-64 Самара (846)206-03-16 Санкт-Петербург (812)309-46-40 Саратов (845)249-38-78
 Севастополь (8692)22-31-93 Симферополь (3652)67-13-56 Смоленск (4812)29-41-54 Сочи (862)225-72-31 Ставрополь (8652)20-65-13 Сургут (3462)77-98-35 Тверь (4822)63-31-35 Томск (3822)98-41-53
 Тула (4872)74-02-29 Тюмень (3452)66-21-18 Ульяновск (8422)24-23-59 Уфа (347)229-48-12 Хабаровск (4212)92-98-04 Челябинск (351)202-03-61 Череповец (8202)49-02-64 Ярославль (4852)69-52-93

Единый адрес: ath@nt-rt.ru | <http://albright.nt-rt.ru>

The ED402 range of switches have been designed to provide a rapid means of disconnecting batteries or other power supplies in the event of serious electrical faults. Whilst the switches are primarily intended for use with battery powered vehicles they are also suitable for use with static power systems. All types are capable of safely rupturing full load battery currents in the event of an emergency.

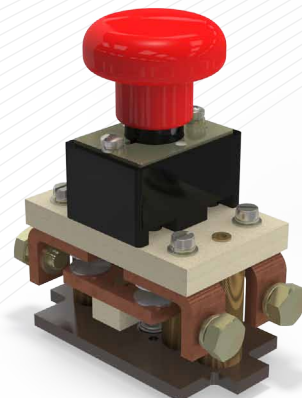
- Uninterrupted current - no or infrequent load switching requirements (maintains a lower contact resistance).

The ED402 is a manually operated device with an over-centre spring mechanism which provides a snap action for both opening and closing of the main contacts. The ED402 is easy to install (see drilling details) and is secured with supplied M5 positive mounting screws. Lockable versions feature a key which is necessary for the knob to be moved from the "Off" position to the "On" position. Once in the "On" position, the key can be removed. Thereafter, the knob may be depressed to the "Off" position where it will automatically lock and remain locked until the key is used again to unlock it. The ED402 is fully serviceable with genuine replacement parts available.

Precautions:

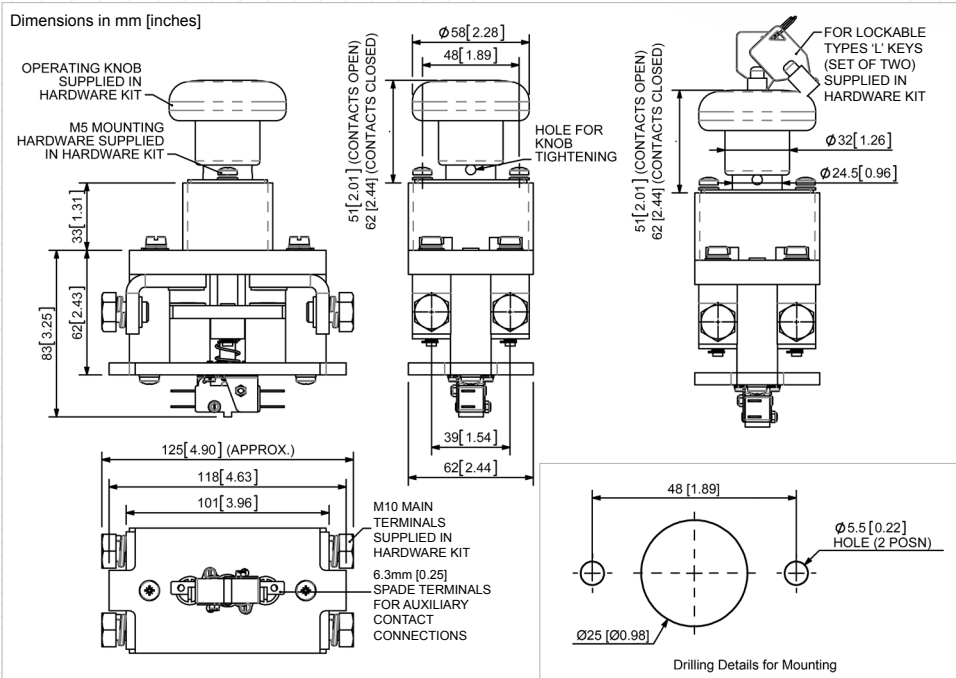
The switch is to be used to rupture current in an emergency or as a no-load isolator.

Do not use as a regular On-Load Switching Device.



ED402

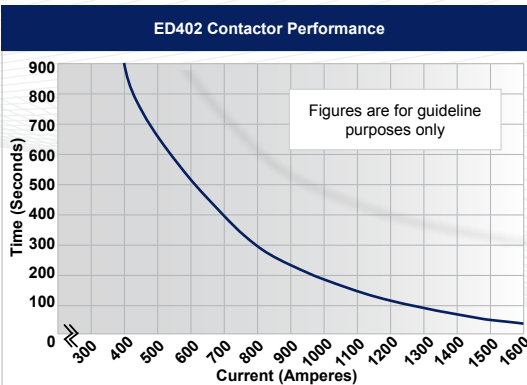
Application	Uninterrupted
Thermal Current Rating (I _{th})	400A
Intermittent Current Rating:	
30% Duty	730A
40% Duty	630A
50% Duty	565A
60% Duty	515A
70% Duty	480A
Overload Currents that can be Ruptured:	
ED402	1500A at 48V D.C.
Maximum Recommended Contact Voltages (U _c):	
ED402	96V D.C.
Typical Voltage Drop per pole across New Contacts at 100A	30mV
Mechanical M.T.B.F	>10 x 10 ³
Operating Ambient Temperature	- 40°C to + 60°C
Guideline Contactor Weight:	
ED402	1000 gms
With Auxiliary	+ 20 gms
With Lock	+ 60 gms
Auxiliary Details	
Auxiliary Thermal Current Rating	15A
Auxiliary Contact Switching Capabilities (Resistive Load):	
	15A at 24V D.C.
	10A at 48V D.C.
	5A at 96V D.C.
Advised Connection Sizes for Maximum Continuous Current	
Cable to be rated suitable to Application	
Key: ▲ = Uninterrupted	
Note: Where applicable values shown are at 20°C	



The Use of Battery Disconnecting Switches in Electric Vehicles

Modern battery powered electric vehicles are inherently very reliable and safe. However, even when sophisticated electronic controllers are used it is desirable to have a means of disconnecting the battery in the event of an emergency, such as a vehicle failing to stop or an electrical short circuit.

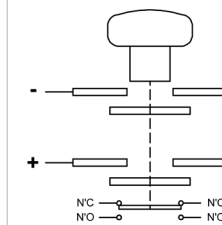
In many countries it is mandatory to fit one or more devices to achieve an emergency disconnection of the battery.



Contact Performance Key:

— Uninterrupted Current

Connection Diagram



ED402 Available Options

General	Suffix
Auxiliary Contacts	o A
Auxiliary Contacts - V3	X
Magnetic Blowouts†	X
Magnetic Blowouts - High Powered†	X
Mounting Brackets	X
Closed Contact Housing	X
Environmentally Protected IP66	X
EE Type (Steel Shroud)	X
Lockable	o L
Contacts	
Large Tips	X
Textured Tips	o T
Silver Plating	X
Key: Optional o Standard • Not Available X	
† Connections become polarity sensitive	