

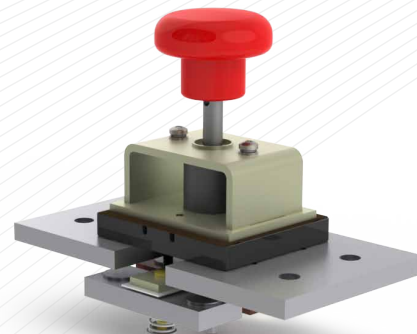
The ED1800 range of switches have been designed to provide a rapid means of disconnecting batteries or other power supplies in the event of serious electrical faults. Designed for use with uninterrupted high current battery powered systems such as those found in Telecommunication Power Distribution Units, all types are capable of safely rupturing full load battery currents in the event of an emergency.

- Uninterrupted current - no or infrequent load switching requirements (maintains a lower contact resistance).

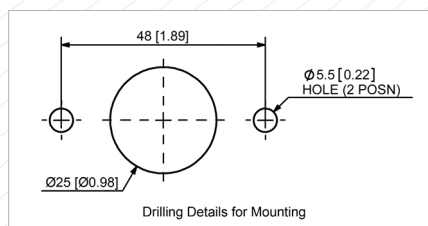
The ED1800 is a manually operated device with a snap action for both opening and closing of the main contacts. They have paralleled double breaking contacts with silver alloy tips which are weld resistant, hard wearing and have excellent conductivity. The ED1800 is easy to install (see drilling details) and can be mounted using the main terminal busbars or secured with supplied M5 posidrive mounting screws on the frame of the device.

Precautions:

The switch is to be used to rupture current in an emergency or as a no-load isolator. **Do not use as a regular On-Load Switching Device.**



ED1800



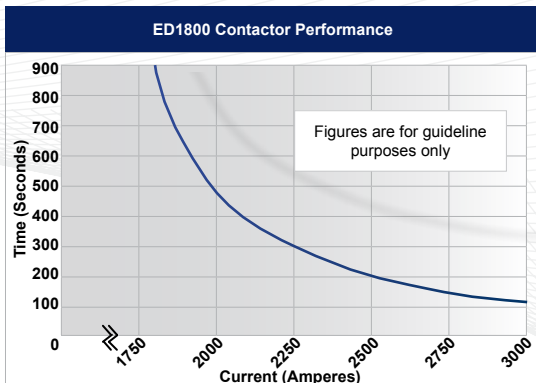
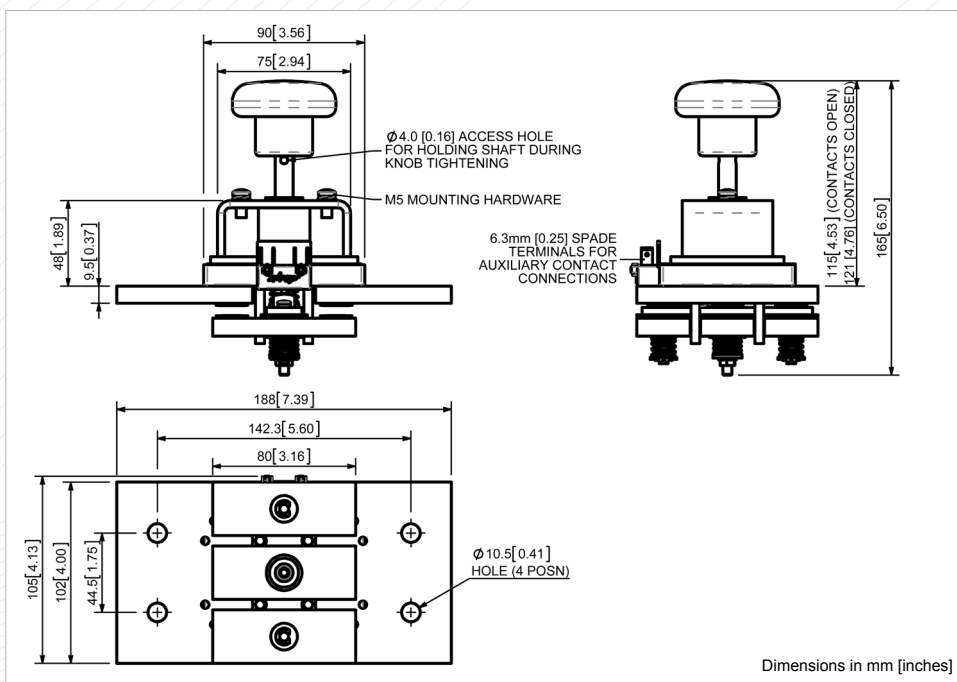
Drilling Details for Mounting

Application	Uninterrupted
Thermal Current Rating (<i>I</i> _{th})	1800A
Intermittent Current Rating:	
30% Duty	3285A
40% Duty	2845A
50% Duty	2545A
60% Duty	2325A
70% Duty	2150A
Rated Fault Current Breaking Capacity (<i>I</i> _{cn}) Resistive Load: (in accordance with UL508 ^{*)}	
ED1800	2700A at 60v D.C.

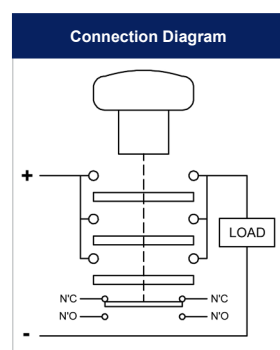
Maximum Recommended Contact Voltages (<i>U</i> _e):	
ED1800	60V D.C.
Typical Voltage Drop per pole across New Contacts at 100A	<50mV
Mechanical M.T.B.F	>10,000
Operating Ambient Temperature	- 40°C to + 60°C
Guideline Contactor Weight:	
ED1800	2750 gms

Advised Connection Sizes for Maximum Continuous Current	
Copper busbar	965mm ² [1.49inch ²]

Key: ▲ = Uninterrupted
Note: Where applicable values shown are at 20°C
 * Please check our web site for product UL status



Contact Performance Key:
 — Uninterrupted Current



ED1800 Available Options		
General		Suffix
Auxiliary Contacts	○	A
Auxiliary Contacts - V3	X	
Magnetic Blowouts†	X	
Magnetic Blowouts - High Powered†	X	
Mounting Brackets	X	
Closed Contact Housing	X	
Environmentally Protected IP55	X	
EE Type (Steel Shroud)	X	
Lockable	X	
Contacts		
Large Tips	X	
Textured Tips	X	
Silver Plating (fitted as standard)	○	
Key: Optional ○ Standard ● Not Available X		
† Connections become polarity sensitive		